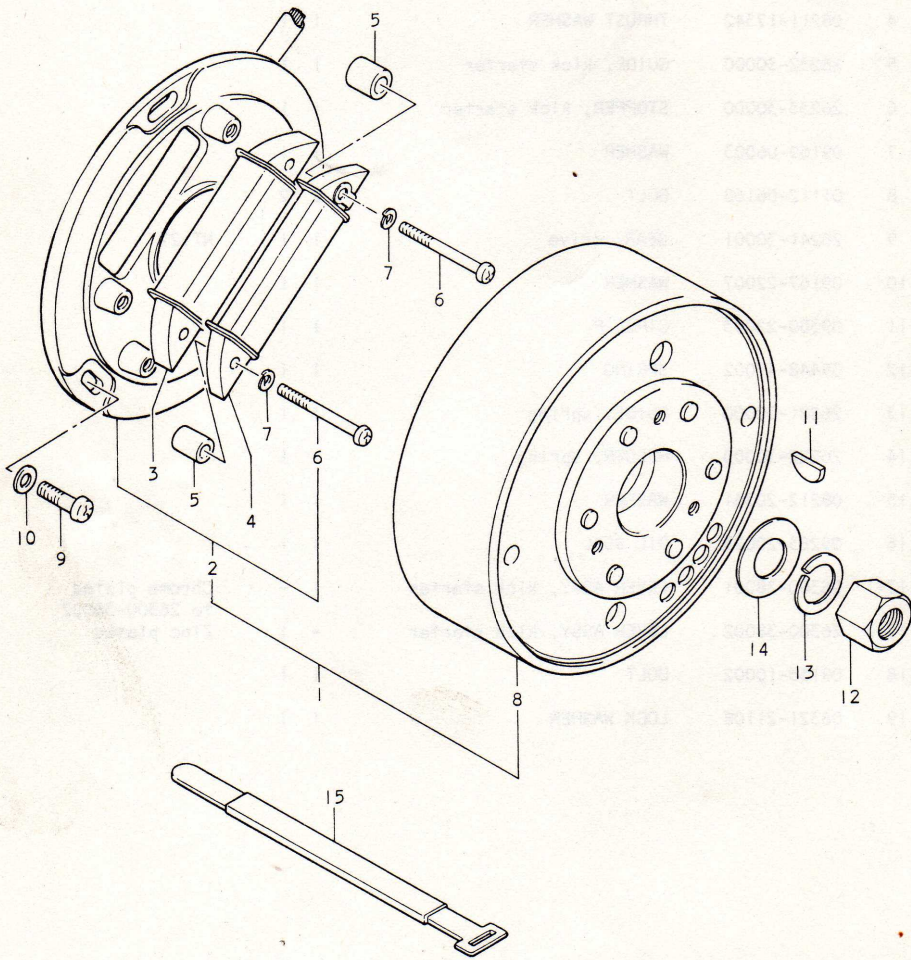


FIG.11 MAGNETO



RL250

Ref.No.	Part No.	Description	Q'ty		Remarks
			L	M	
1	32100-38600	MAGNETO ASSY	1	1	
2	32101-38600	•STATOR ASSY	1	1	
3	32140-32020	••COIL, primary	1	1	
4	32150-32020	••COIL, primary	1	1	
5	32160-32020	••SPACER	2	2	
6	02111-05357	••SCREW	2	2	
7	08321-21058	••LOCK WASHER	2	2	
8	32102-38600	•ROTOR	1	1	
9	02112-05168	SCREW	3	3	
10	08322-21058	WASHER	3	3	
11	08341-31049	KEY	1	1	
12	09140-14011	NUT	1	1	
13	08321-21148	LOCK WASHER	1	1	
14	09160-14015	WASHER	1	1	14x27x3
15	09407-14301	CLAMP	2	2	

RL250