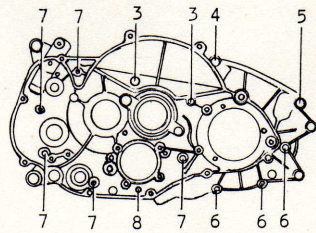
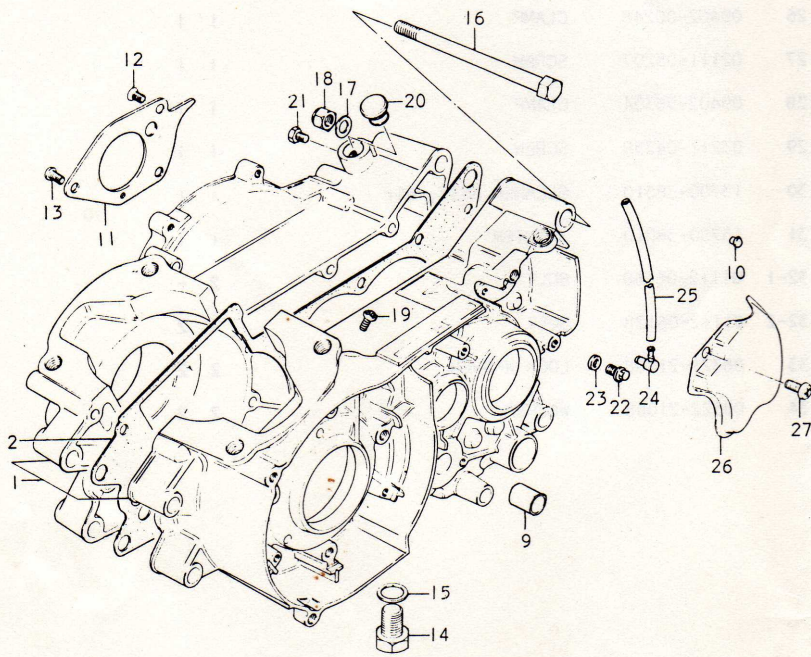


FIG.2 CRANKCASE



RL250

FIG.2 CRANKCASE

Ref.No.	Part No.	Description	Q'ty		Remarks
			L	M	
1-1	11300-38810	CRANKCASE ASSY	1	-	to 11300-38811
1-2	11300-38811	CRANKCASE ASSY	1	-	Not include Ref.No.10
1-3	11300-38812	CRANKCASE ASSY	1	1	to 11300-38812
					Include Ref.No.10
2	11481-30000	GASKET, crankcase	1	1	
3	02122-06758	SCREW	2	2	
4	02112-06708	SCREW	1	1	
5	02112-06657	SCREW	1	1	
6	02112-06508	SCREW	3	3	
7	02112-06458	SCREW	5	5	
8	02112-06358	SCREW	1	1	
9	09206-13001	PIN	2	2	
10	09250-06001	PLUG, crankcase	1	1	
11	12561-30001	PLATE, oil reserver	1	1	
12	02122-06168	SCREW	2	2	
13	02112-06168	SCREW	1	1	
14	09247-14007	DRAIN PLUG	1	1	
15	09168-14004	GASKET	1	1	
16	09100-10060	BOLT	2	2	10x120
17	08322-11108	WASHER	2	2	
18	09159-10011	NUT	2	2	From 09159-10001
19	02112-06068	BOLT, LH crankcase hole	1	1	
20	09250-14002	PLUG	1	1	

RL250

